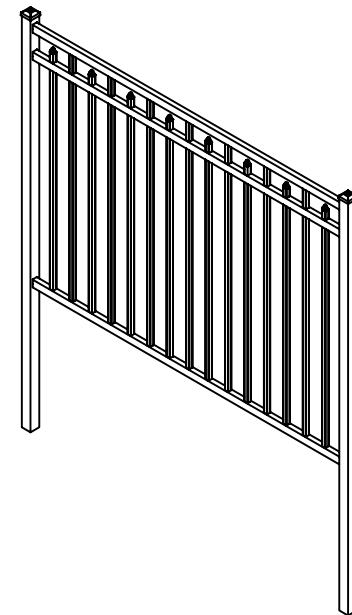
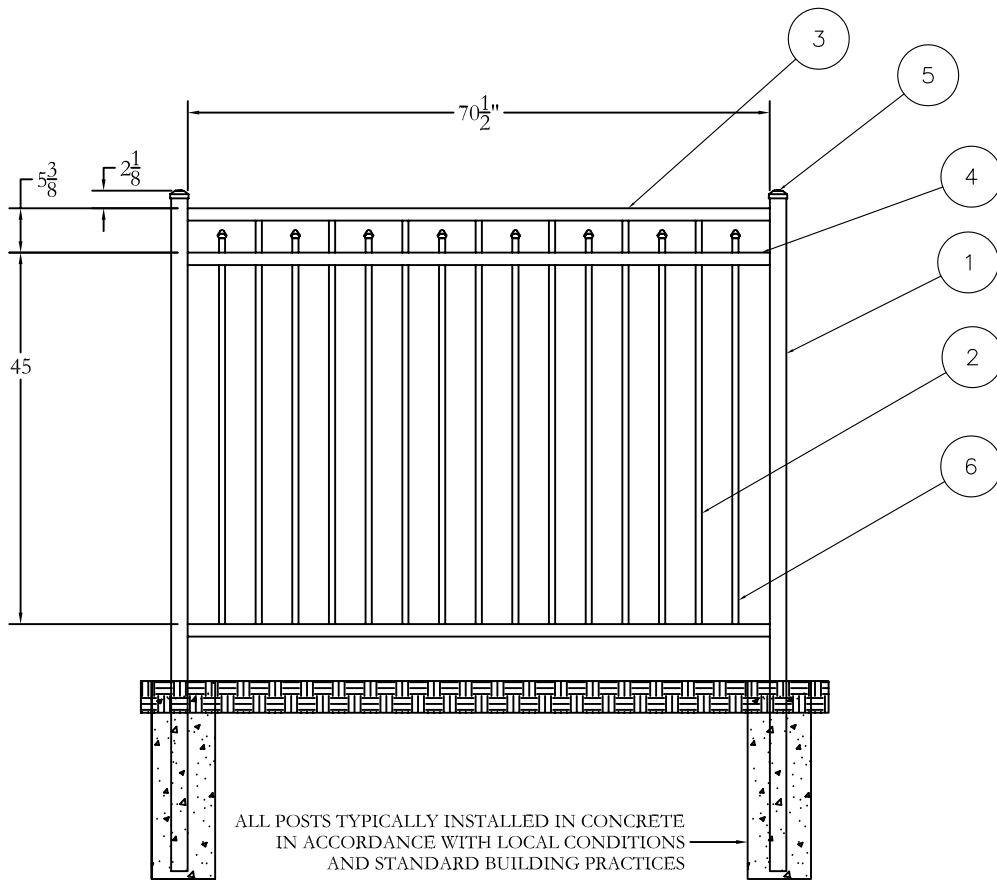


Parts List		
ITEM	QTY	DESCRIPTION
1	2	82" POST
2	7	54" PICKET
3	1	15 HOLE HEADER
4	2	15 HOLE STRINGER
5	2	POST CAP
6	8	54" PICKET

REVISIONS				
ZONE	REV	DESCRIPTION	DATE	APPROVED
		INITIAL RELEASE		



*Jerith*<sup>®</sup>  
 Manufacturing Co., Inc.  
 Philadelphia, PA 19154  
 (800)344-2242

DRAWING:  
**CANTERBURY FENCE**  
 54" HEIGHT

SIZE D	DWG NO. RG54UCSN	REV NC
SCALE	DATE 11-17-2010	SHEET 1 OF 1

© 2005. This drawing may not be altered or reproduced without the permission of Jerith Manufacturing Co., Inc.