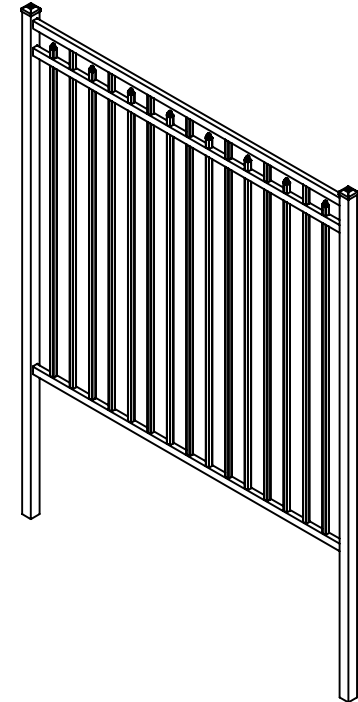
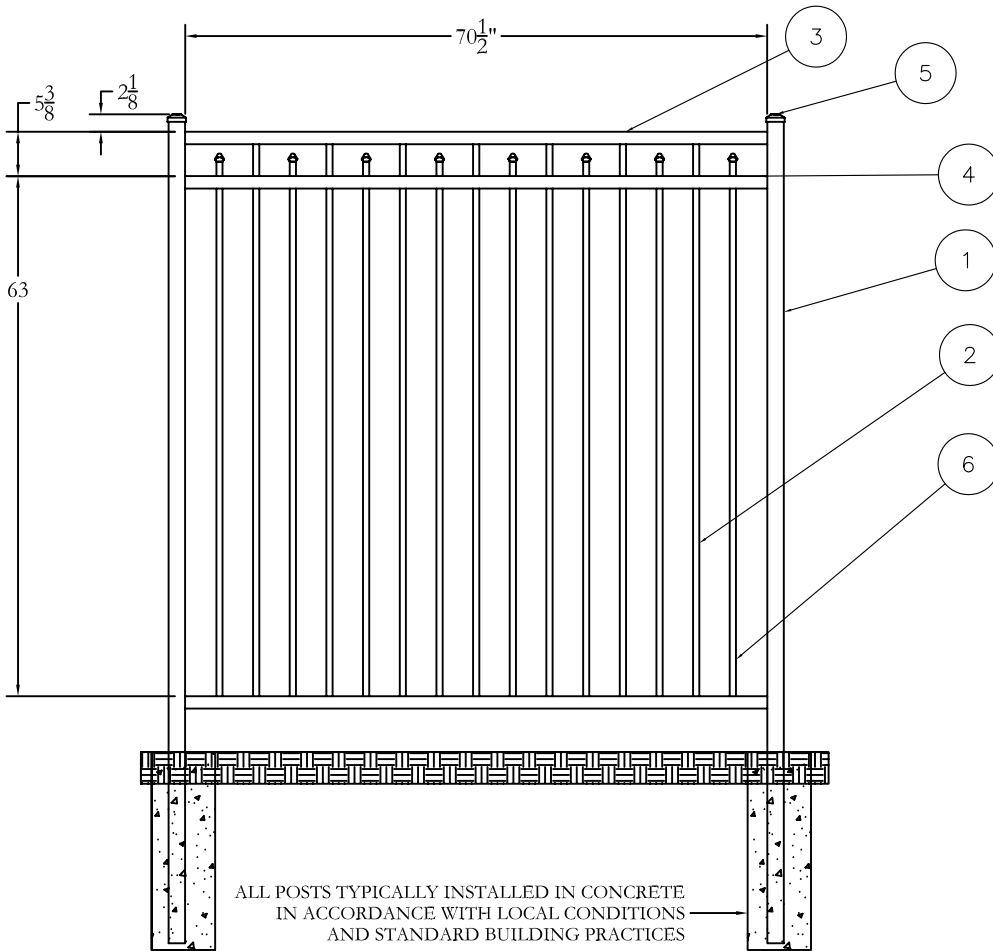


Parts List		
ITEM	QTY	DESCRIPTION
1	2	100WINE 100" POST
2	7	72ZUWINP 72" PICKET
3	1	15UPH 15 HOLE HEADER
4	2	15UPS 15 HOLE STRINGER
5	2	UCP2 POST CAP
6	8	72ZUCANP 72" PICKET

REVISIONS				
ZONE	REV	DESCRIPTION	DATE	APPROVED
		INITIAL RELEASE		



ALL POSTS TYPICALLY INSTALLED IN CONCRETE  
IN ACCORDANCE WITH LOCAL CONDITIONS  
AND STANDARD BUILDING PRACTICES

*Jerith*<sup>®</sup>  
Manufacturing Co., Inc.  
Philadelphia, PA 19154  
(800)344-2242

DRAWING:

CANTERBURY FENCE  
72" HEIGHT

SIZE D	DWG NO. RG72UCSN	REV NC
SCALE	DATE 11-17-2010	SHEET 1 OF 1

© 2005. This drawing may not be altered  
or reproduced without the permission of  
Jerith Manufacturing Co., Inc.